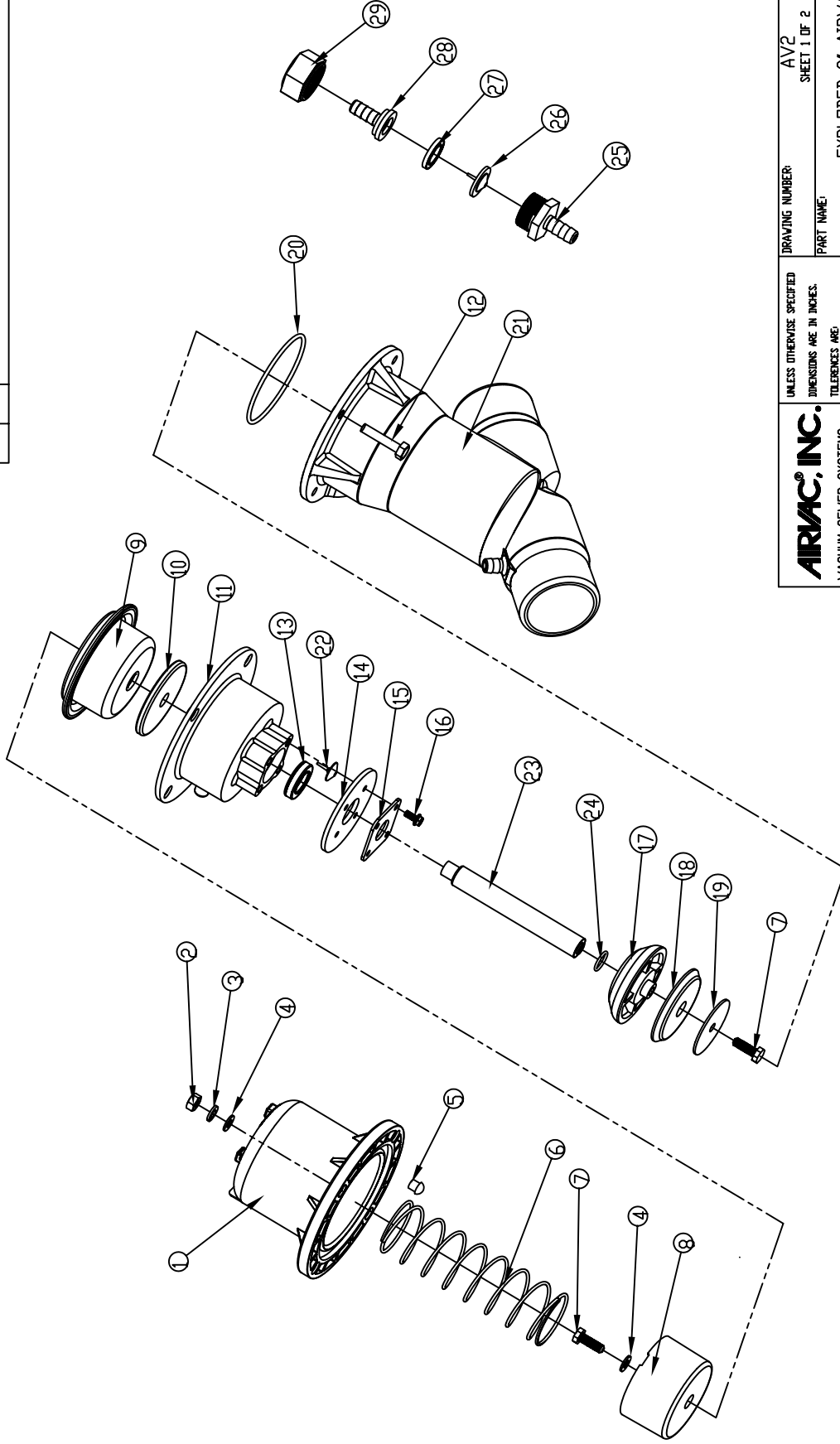


IN CONSIDERATION OF THE RECEIPT OF THIS DOCUMENT, THE RECIPIENT AGREES NOT TO REPRODUCE, COPY, USE, OR TRANSMIT THIS DOCUMENT AND/OR THE INFORMATION THEREIN CONTAINED IN WHOLE OR IN PART, OR TO SUFFER SUCH ACTIVITY BY OTHERS, FOR ANY PURPOSE EXCEPT WITH THE WRITTEN PERMISSION OF AIRVAC, INC. AND FURTHER AGREES TO SUBSCRIBE, SAME TO AIRVAC, INC. UPON DEMAND.

DWG LVL	DSN LVL	REVISION DESCRIPTION	DRV BY	DATE	CHKD BY



AIRVAC, INC.		DRAWING NUMBER: AV2	
VACUUM SEWER SYSTEMS		SHEET 1 OF 2	
P.O. BOX 528 ROCHESTER, IN. U.S.A. 46975 PHONE (574) 223-3980 FAX (574) 223-5566		PART NAME: EXPLODED 2" AIRVAC VALVE	
MATERIAL:		PART NUMBER:	
TOLERANCES ARE: FRACTIONS DECIMALS ANGLES ± .005 ± .001 ± 1°		DRAWN BY: J. POISEL DATE: 5/18/01	
UNLESS OTHERWISE SPECIFIED DIMENSIONS ARE IN INCHES.		APPROVALS: ENG'G	
CAD FILE: PACADVAVE/ASSEMBLIES\		SCALE: 1:3	
		MANUF'G BY:	
		CHK'D BY:	
		Dwg Lvl	
		B	
		1	



**Part List for #AV2
2" STD BODY VALVE PARTS**

Item #	Part Number	Item Description	Qty
01	AV2-06	VALVE BONNET-CLEAR	1
02	AVD-HN-0	1/4-20 FINISHED HEX NUT 18-8	4
03	AVD-LW-0	1/4" MED. LOCKWASHER,#18-8 S.S	4
04	AVD-W-0	U.S.S.,1/4"FLATWASHER,#18-S.S.	9
05	PAD36	RUBBER BUMPER FOR AV2-06	4
06	AV2-07S	SPRING	1
07	AV2-LB-0	LOCKING BOLT - 1/4" - 20 X 3/4"	2
08	AV2-05	DIAPHRAGM CUP	1
09	AV2-11RD	ROLLING DIAPHRAGM	1
10	AV2-04	DIAPHRAGM PLATE	1
11	AV2-02PP	LOWER HOUSING (PP), REAMED	1
12	AVD-B-01	1/4" - 20 X 1 1/4" BOLT	4
13	AVD-S-83	WIPER SHAFT SEAL	1
14	AV2-12RB	RUBBER BAFFLE GASKET	1
15	AV2-08M	SHAFT SEAL RETANR 316SS 14 GAU	1
16	AC38B	8-32X3/8 18-8SS SLT INDENT HEX	4
17	AV2-14-1	2" VALVE PLUNGER	1
18	AV2-10RS	VALVE SEAT	1
19	AV2-09M	SEAT RETAINING WASHER, #316 SS	2
20	AV2-15OR	O-RING AS568A-150 BUNA-N 70DUR	1
21	AV2-01	2" VALVE WYE BODY-CLEAR	1
21	AV2-01PP	2" VALVE WYE BODY-BLUE	1
22	AVRU-2	RUBBER UMBRELLA CHECK VALVE	1
23	AV2-13SS	SHAFT, # 316 STAINLESS STEEL	1
24	AVD-S-014	ORING AS568A-014 BUNA-N 70DURO	1
25	ADP3/8TX3/4MHIP	3/4"MPTX3/8"HB, HI IMPACT PP	1
26	UCV	RUBBR UMBRLA CHK VLV,PLATE ASM	1
27	RW-32	RUBBER WASHER	1
28, 29	ADP3/4SWX3/8T	NYLON SWVL FTG, FEM3/4NPTX3/8T	1