

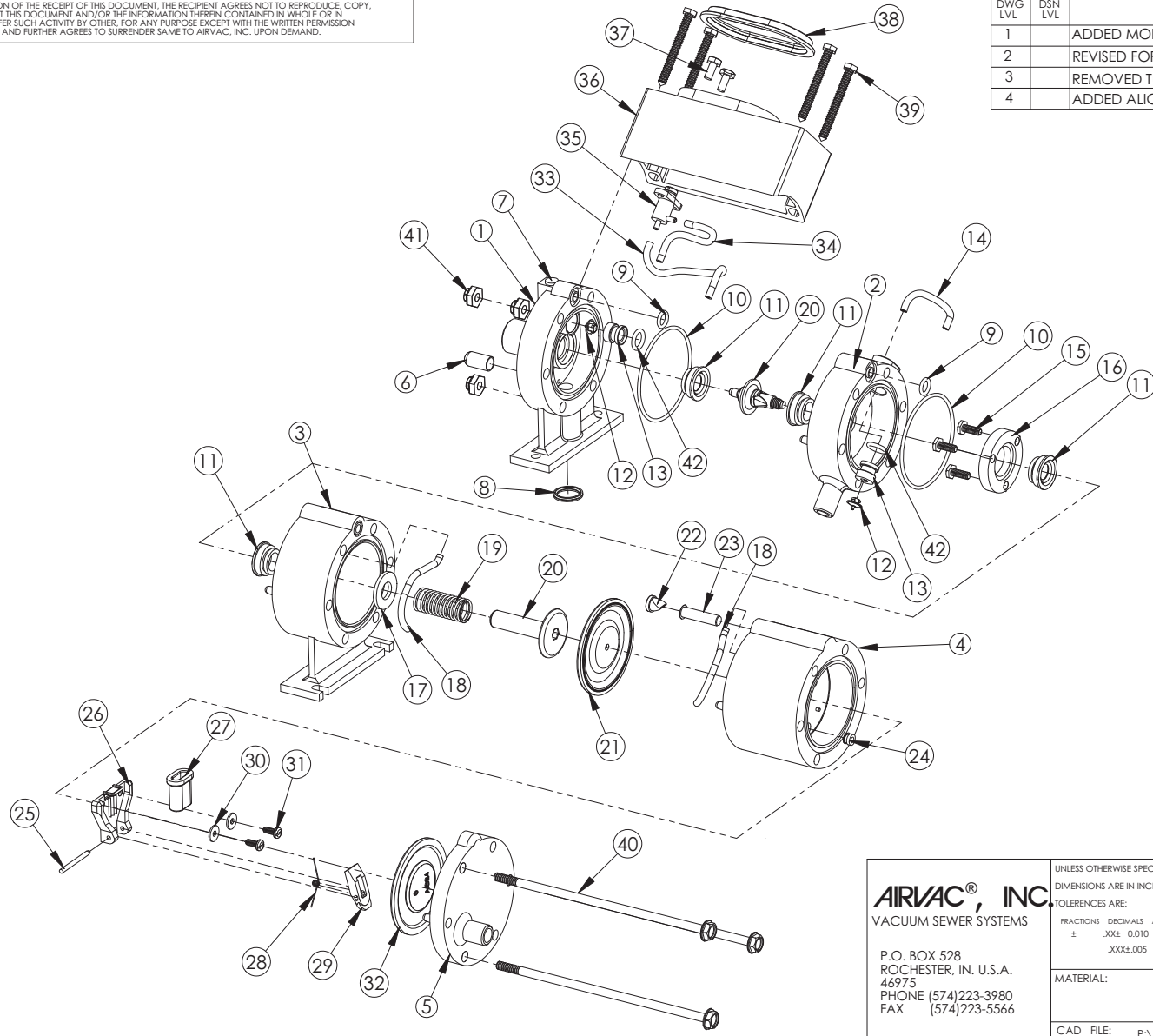
PARTS LIST AC Controller

Item Number	Part Number	Qty	Item Description
PARTS LIST FOR #AC - AIRVAC CONTROLLER/SENSOR UNIT			
Ref Drawing Number ACD-83			
1,6,7	AC05	1	Air&valve conn w/check valve PN# AC05
2,13	AC04	1	Vacuum chamber PN# AC04
3,18	AC03	1	Chamber B PN# AC03
4,18	AC02	1	Chamber A PN# AC02
5	AC01	1	Sensor end plate PN# AC01
8	AC42	1	Quad o-ring, AS568A-013, 50 duro PN# AC42
9	AC40	2	O-ring, AS568A-009, buna-n 50du PN# AC40
10	AC39	2	O-ring, AS568A-031, buna-n, 50du PN# AC39
11	AC22	4	Shaft seal PN# AC22
12	AC46	1	Umbrella chack valve PN# AC46
14,18,33,3	TUBE1/16M	1	1/16" ID X 1/8" OD tubing PN# TUBE1/16 per m
15	AC35	3	#6X3/8 Phpan type a sms s.s. PN# AC35
16	AC07	1	3RD seal mntg plate PN# AC07
17	AC08	1	Spring washer PN# AC08
19	AC16S	1	3-way valve spring 302ss .40"D PN# AC16S
20	AC12A	1	Controller shaft, bottom PN# AC12A
20	AC12B	1	Controller shaft, top PN# AC12B
21	AVD1-10	1	Diaphragm PN# AVD1-10
22	AC25	1	Sensor variable orf duckbill PN# AC25
23	AC43	1	Air passage filter, 18-8ss PN# AC43
24	AC21	1	Sensor Seat PN# AC21
25	AC33B	1	Solid sensor pin, 18-8ss PN# AC33B
26	AC13	1	Sensor lever base PN# AC13
27	AC52	1	AC filter for AC02 PN# AC52
28	AC17B	1	Sensor spring 302ss L/H PN# AC17B
29	AC14	1	Sensor lever PN# AC14
30	AC32W	2	U.S.S, #4 Flatwasher,# 18-8 ss PN# AC32W
31	AC32S	2	#4X3/8 PHPAN type A sms s.s. PN# AC32S
32	AC24	1	Sensor diaphragm PN# AC24
35	AC18	1	Needle valve, panel mount PN# AC18
36	AC11	1	Controller timer box PN# AC11
37	AC36	2	#6X5/16 PHPAN type A sms s.s. PN# AC36
38	AC15	1	Timer cover PN# AC15
39	AC37	4	#8X1-1/2"Self tap SCR timer BX PN# AC37
40	AC31B	6	#10-24 X 4 3/4" Controller bolt PN# AC31B
41	AC31N	6	10-24 Flange hex nut w/serrati PN# AC31N
42	AC18-ORING	1	O-ring for AC18 needle valve PN# AC18-ORING
PARTS LIST FOR #ACRBK - AC CONTROLLER REBUILD KIT			
Ref Drawing Number ACRBK			
0	ACRBK	1	Controller rebuilding kit PN# ACRBK
1	AVD1-10	1	Diaphragm PN# AVD1-10
2	AC52	1	AC filter for AC02 PN# AC52
3	AC39	2	O-ring, AS568A-031, buna-n, 50du PN# AC39

4	AC21	1	Sensor Seat PN# AC21
5	AC42	1	Quad o-ring, AS568A-013, 50 duro PN# AC42
6	AC41	1	O-ring, AS568A-007, buna-n, 50DU PN# AC41
7	AC22	4	Shaft seal PN# AC22
8	AC40	2	O-ring, AS568A-009, buna-n 50du PN# AC40
9	TUBE1/16M	0.21	1/16" ID X 1/8" OD tubing PN# TUBE1/16 per m
10	TUBE1/16M	0.25	1/16" ID X 1/8" OD tubing PN# TUBE1/16 per m
11	TUBE1/16M	0.33	1/16" ID X 1/8" OD tubing PN# TUBE1/16 per m
12	AC46	2	Umbrella chack valve PN# AC46
13	AC25	1	Sensor variable orf duckbill PN# AC25
14	AV2110	2	O-ring PN# AV2110
15	AC24	1	Sensor diaphragm PN# AC24
16	AC62	1	AC operator seal PN# AC62

IN CONSIDERATION OF THE RECEIPT OF THIS DOCUMENT, THE RECIPIENT AGREES NOT TO REPRODUCE, COPY, USE, OR TRANSMIT THIS DOCUMENT AND/OR THE INFORMATION THEREIN CONTAINED IN WHOLE OR IN PART, OR TO SUFFER SUCH ACTIVITY BY OTHER, FOR ANY PURPOSE EXCEPT WITH THE WRITTEN PERMISSION OF AIRVAC, INC. AND FURTHER AGREES TO SURRENDER SAME TO AIRVAC, INC. UPON DEMAND.

DWG LVL	DSN LVL	REVISION DESCRIPTION	DRW BY	DATE	CHKD BY
1		ADDED MOD #, CHG PARTS		7-12-01	
2		REVISED FOR CLARITY		11-20-02	
3		REMOVED TUBE SPIGOTS, ON PARTS 3 & 4		11-10-03	
4		ADDED ALIGNMENT PINS AND CHECK VALVES	JRH	12-01-05	



AIRVAC® INC. VACUUM SEWER SYSTEMS P.O. BOX 528 ROCHESTER, IN. U.S.A. 46975 PHONE (574)223-3980 FAX (574)223-5566	UNLESS OTHERWISE SPECIFIED DIMENSIONS ARE IN INCHES. TOLERANCES ARE: FRACTIONS DECIMALS ANGLES $\pm .XX \pm 0.010 \pm 1$ $.XXX \pm .005$	DRAWING NUMBER: ACD-83 SHEET 1 OF 4		
	MATERIAL:	PART NAME: AC CONTROLLER MODEL 12		
	CAD FILE: P:\CAD\AC\SW\	PART NUMBER: AC-U	MANUFG BY:	DRAWN BY: R LeFAVE
	APPROVALS:	DATE: 5/24/02	CHK'D BY:	ENG'G:
	SCALE: 1:1	DWG SIZE B	DWG LVL	DSN LVL

