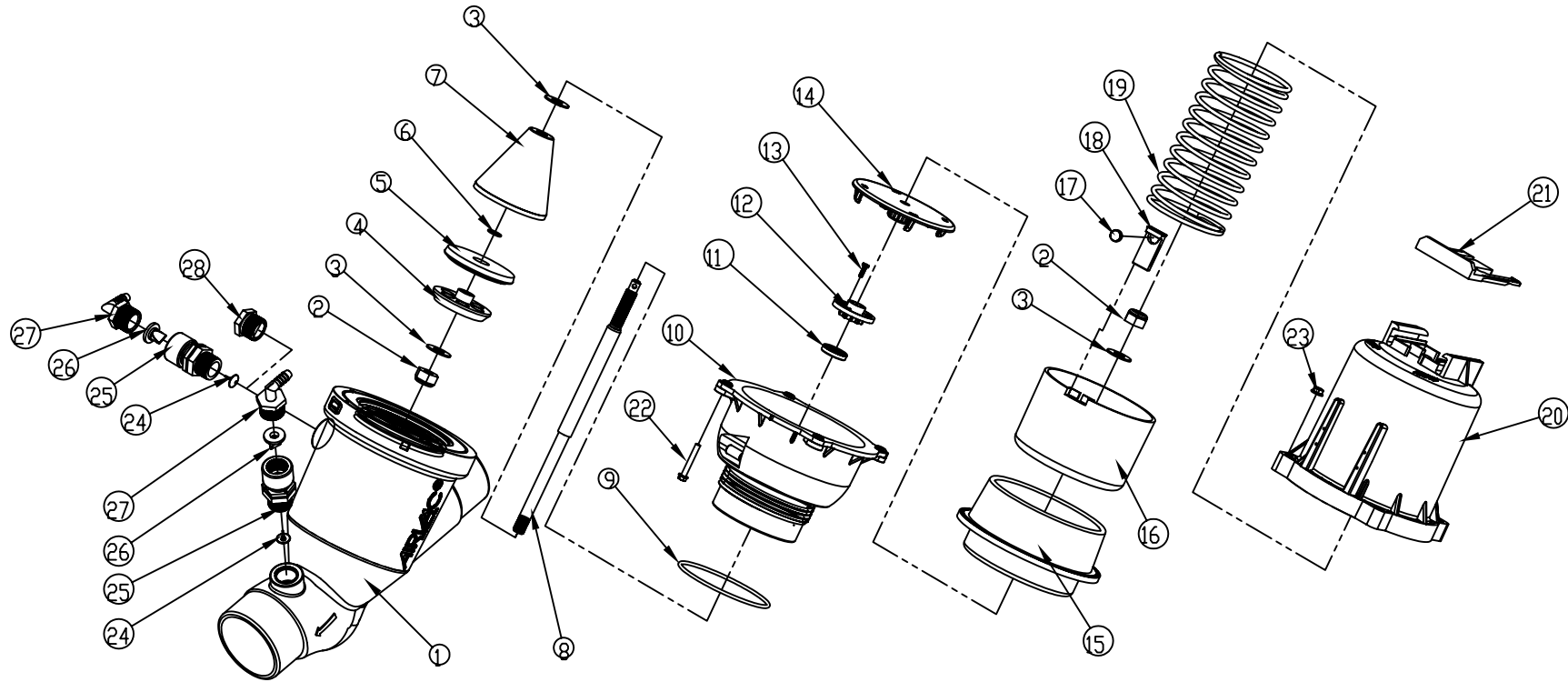
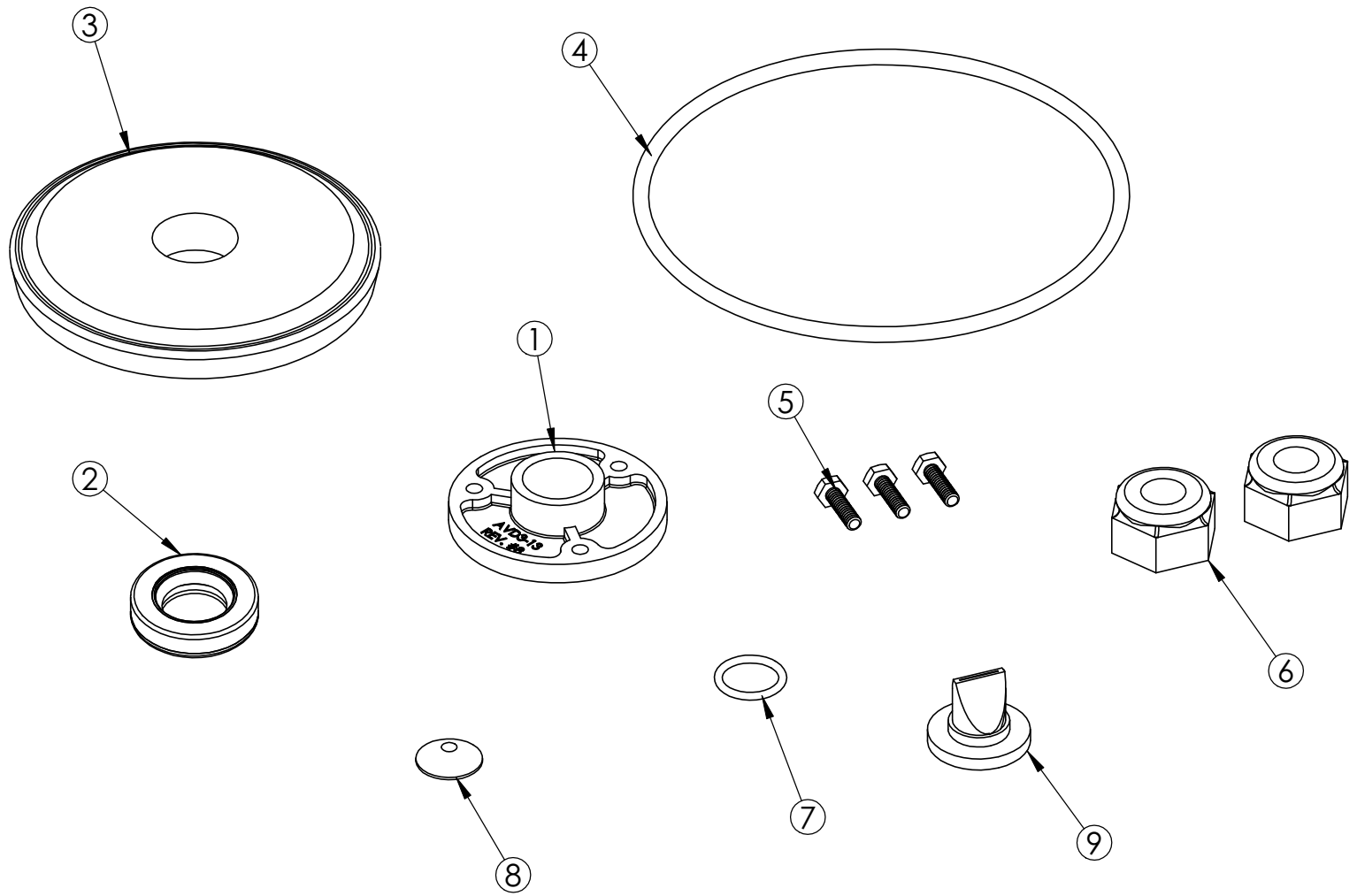


IN CONSIDERATION OF THE RECEIPT OF THIS DOCUMENT, THE RECIPIENT AGREES NOT TO REPRODUCE, COPY, USE, OR TRANSMIT THIS DOCUMENT AND/OR THE INFORMATION THEREIN CONTAINED IN WHOLE OR IN PART, OR TO SUFFER SUCH ACTIVITY BY OTHER, FOR ANY PURPOSE EXCEPT WITH THE WRITTEN PERMISSION OF AIRVAC, INC. AND FURTHER AGREES TO SURRENDER SAME TO AIRVAC, INC. UPON DEMAND.

DWG LVL	DSN LVL	REVISION DESCRIPTION	DRV BY	DATE	CHKD BY
1		REVISED FOR CLARITY		11-20-02	
2		CHANGED MAGNET AND CLIP		1-10-03	



AIRVAC, INC. VACUUM SEWER SYSTEMS P.O. BOX 528 ROCHESTER, IN. U.S.A. 46975 PHONE (574) 223-3980 FAX (574) 223-5566	UNLESS OTHERWISE SPECIFIED DIMENSIONS ARE IN INCHES.	DRAWING NUMBER: AVD3-71 SHEET 1 OF 2		
	TOLERANCES ARE: FRACTIONS DECIMALS ANGLES ± .005 ± .001 ± .1	PART NAME: 3' LARGE BODY VALVE - EXPLODED VIEW		
	MATERIAL:	PART NUMBER: AV3	MANUF'G BY:	
	CAD FILE: P:\CAD\AVD3\NEW\	DRAWN BY: J. POISEL	DATE: 2/12/01	CHK'D BY:
	APPROVALS:	ENG'G:	DWG LVL: B	DSN LVL:
		SCALE: 1:5		



AVD3RBK

PARTS LIST

3" Vacuum Valve

Item Number	Part Number	Qty	Item Description
PARTS LIST FOR #AV3 - 3" LARGE BODY VALVE PARTS			
Ref Drawing Number AVD3-71			
1	AVD3-26	1	3" Large body assembly PN# AVD3-26
2	AVD-LN-1	2	1/2"- 13Locknut w/nyln insrt ss PN# AVD-LN-1
3	AVD-W-1	3	Standard fw #18-8 s.s., 1/2" PN# AVD-W-1
4	AVD3-07B	1	Retaining washer PN# AVD3-07B
5	AVD-R-0C	1	Rubber valve seat w/rev taper PN# AVD-R-0C
6	AVD-S-014	1	Oring AS568A-014 buna-n 70duro PN# AVD-S-014
7	AVD3-28	1	Tapered plunger w/inset seat PN# AVD3-28
8	AVD3-25	1	3" valve shaft PN# AVD3-25
9	AVD-S-02	1	Oring AS568A-243 buna-n 70duro PN# AVD-S-02
10	AVD3-18	1	3"Valve lower HSG / screw plug PN# AVD3-18
11	AVD-S-83	1	Wiper shaft seal PN# AVD-S-83
12	AVD3-13	1	3"V shaft bearing-large y vlv PN# AVD3-13
13	AC34	3	#6-32 x 1/2"Hex head shaft scr PN# AC34
14	AVD3-04	1	Piston plate PN# AVD3-04
15	AVD-D-0B	1	Rolling diaphragm w/lubricant PN# AVD-D-0B
16	AVD3-03	1	Drilled piston cup-3" valve PN# AVD3-03
17	NAC011	1	Magnet, ultra high strength PN# NAC011
18	AVD3-17D	1	Magnet clip with hole PN# AVD3-17D
19	AVD-SP-0	1	Compression spring, 302ss PN# AVD-SP-0
20	AVD3-29	1	3" vlv upper housing w/holes PN# AVD3-29
21	AVD3-15	1	Quick release mounting key PN# AVD3-15
22	AVD-B-05	4	1/4-20 x 2" HX wsh ms ss w/ser PN# AVD-B-05
23	AVD-HN-1	4	1/4-20 Serrated hxflng nut, ss PN# AVD-HN-1
24	AVRU-2	2	Rubber umbrella check valve PN# AVRU-2
25	ADP3/4MPX3/4FPT	2	3/4"MPTX3/4" FPT for chlh/chst PN# ADP3/4MPX3/4FPT
26	ADB-1	2	Duckbil check valve PN# ADB-1
27	ADP3/8TX3/4MHPL	1	3/4"MPTX3/8"HB EL impact pp PN# ADP3/8TX3/4MHPL
28	ADP3/4MPTPLUGPP	1	3/4" MPT Hex head pipe plug pp PN# ADP3/4MPTPLUGPP
29	ADP3/8TX3/4MHIP	0	3/4"MPTX3/8"HB, Hi impact pp PN# ADP3/8TX3/4MHIP
30	STB	0	Surge tank body PN# STB
31	ADP1/4MPT	0	1/4"MPT x 1/4"MPT nylon nipple PN# ADP1/4MPT
PARTS LIST FOR #AVD3RBK - 3" VALVE REBUILD KIT			
Ref Drawing Number AVD3RBK			
0	AVD3RBK	1	Airvac 3" Valve rebuild kit PN# AVD3RBK
1	AVD3-13	1	3"V shaft bearing-large y vlv PN# AVD3-13
2	AVD-S-83	1	Wiper shaft seal PN# AVD-S-83
3	AVD-R-0C	1	Rubber valve seat w/rev taper PN# AVD-R-0C
4	AVD-S-02	1	Oring AS568A-243 buna-n 70duro PN# AVD-S-02
5	AC34	3	#6-32 x 1/2"Hex head shaft scr PN# AC34
6	AVD-LN-1	2	1/2"- 13Locknut w/nyln insrt ss PN# AVD-LN-1
7	AVD-S-014	1	Oring AS568A-014 buna-n 70duro PN# AVD-S-014
8	AVRU-2	1	Rubber umbrella check valve PN# AVRU-2
9	ADB-1	1	Duckbil check valve PN# ADB-1