



## Installation Manual

### Vertical Wall Mount Sump & Valve

#### Part #

**AV125/AVIND141**

(Sump assembly with accessories, i.e. check valve, no-hubs, tubing)

**AV125/AVIND142**

(Sump assembly with no accessories)

COPYRIGHT AIRVAC, INC.



AV125/AVIND141 Sump Assembly with included accessories  
(Includes CV2 check valve with proflex clamps & pilot line tubing.)

***1.25" valve is shipped separate from sump. Attach valve and control tubing as shown in drawing AV125/AVIND142 on page 6.***

This sump assemblies major component items may be ordered separately under the part numbers listed on the following pages.

The available individual valves and sumps components can then be ordered by referring to their individual component sheets.

Field installation of grommets is required.

- 1 ¼" grommet requires a 2.00" opening.
- 1 ½" grommet requires a 2.50" opening.

# AIRVAC®



AIRVAC Part# AV125/AVIND142 (Shown with valve installed)  
AIRVAC 1.25" Valve assembly for Vertical Mounting



AV125/AVIND142 Sump assembly with included accessories.  
(Shown with valve installed)



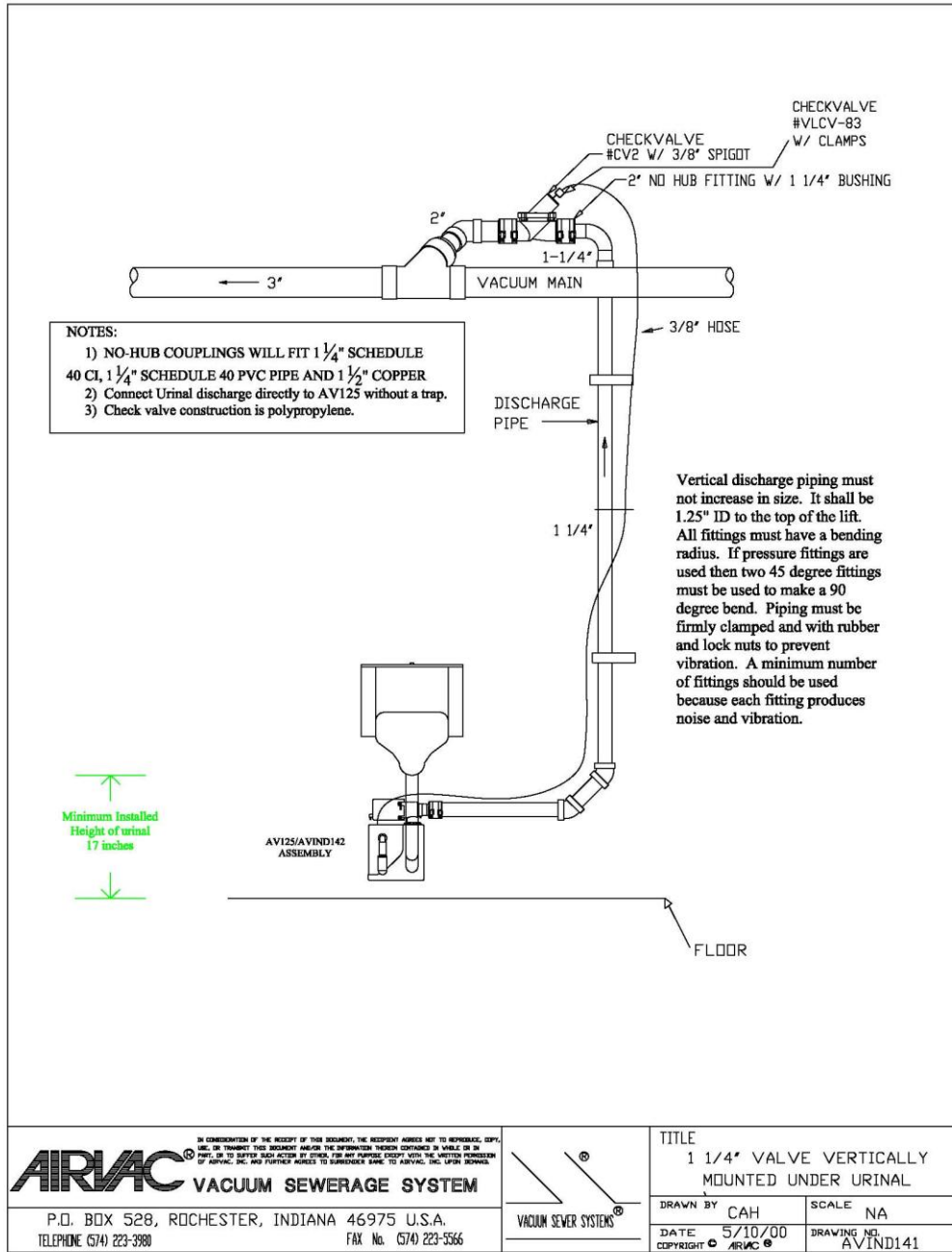
Closeup view of included accessories.

Item #	Description	Qty
NH11/4-PF	1.25" Proflex Coupling	1
TUBE5/8	5/8" Tubing	3"
ADP5/8BEL	Inlet Filter	1
AT125-CLIP	Sump mounting clips	4
ADP3/8TX1/4T	3/8" x 3/16" tubing adaptor	1



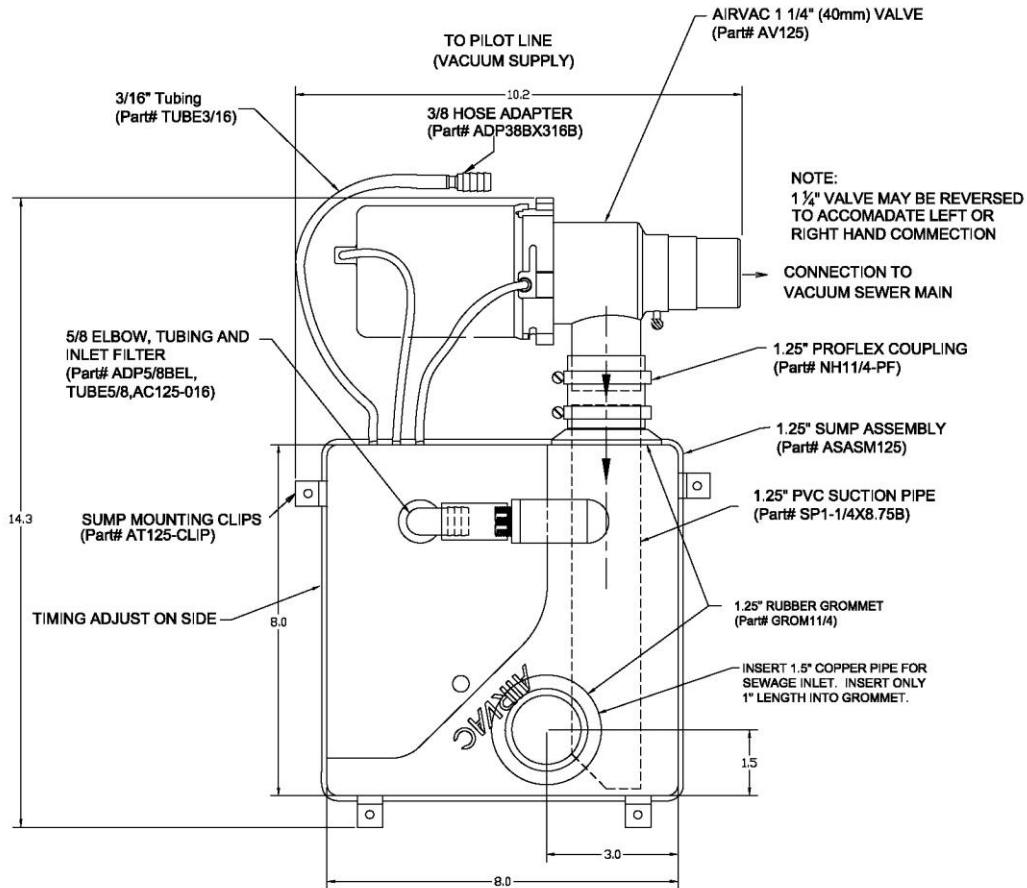
AIRVAC 2" Check Valve with accessories. The shown accessories include components that are part of the AV125/AVIND141 Sump Assembly package (tubing and no-hub clamps).

Item #	Description	Qty
NH2-PF	2" No-Hub Coupling, Proflex	1
NH2X1-1/4-PF	2" x 1 1/4" No-Hub Coupling, Proflex	1
TUBE3/8	3/8" Tubing	15'
CV2-U	2" AIRVAC Check Valve	1
VLCV-83	Vacuum Line Check Valve ASM	1
CLAMP3/8	3/8" Hose Clamp	3



**AIRVAC MODEL AV125/AVIND141  
 TYPICAL INSTALLATION**

IN CONSIDERATION OF THE RECEIPT OF THIS DOCUMENT, THE RECIPIENT AGREES NOT TO REPRODUCE, COPY, USE OR TRANSMIT THIS DOCUMENT AND/OR THE INFORMATION THEREIN CONTAINED IN WHOLE OR IN PART, OR TO SUFFER SUCH AN ACTION BY OTHER, FOR ANY PURPOSE EXCEPT WITH THE WRITTEN PERMISSION OF AIRVAC, INC. AND FURTHER AGREES TO SURRENDER SAME TO AIRVAC, INC. UPON DEMAND.



## P/N AV125/AVIND142

AIRVAC VERTICAL WALL MOUNT 1 1/4" (40mm) VALVE AND SUMP ASSEMBLY  
ARRANGED FOR VERTICAL OR HORIZONTAL DISCHARGE

DRAWING # AVIND-142 COPYRIGHT © AIRVAC® 05/02/00  
Rev 01 11-22-00